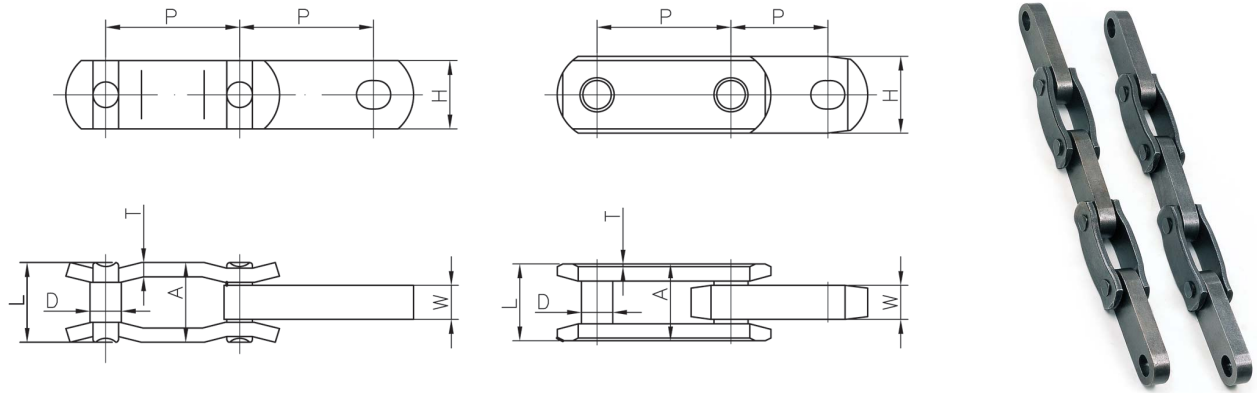


# DOUBLE FLEX CHAINS / STEEL BUSH CHAINS

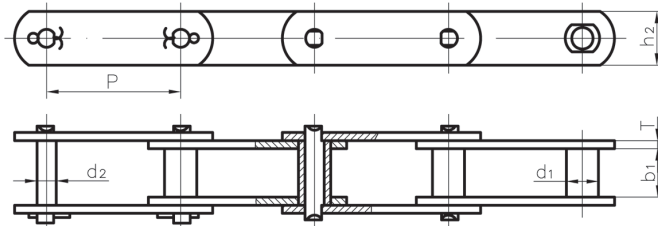
## CONVEYOR CHAIN SERIES

CONVEYOR CHAIN



DOUBLE FLEX CHAINS

Chain No.	Pitch	Chain width		Link plate		Pin		Flex radius	Ultimate tensile strength
	P	A	W	H	T	L	D	R.	Q
	mm	mm	mm	mm	mm	mm	mm	mm	KN
DF3500	76.20 63.50	38.1	16.00	31.80	6.40	36.50	14.50	508	213
DF3910	76.20 76.20	38.1	16.00	31.80	6.40	36.50	14.50	560	213
DF3498	63.50 44.45	36.8	16.30	35.60	7.90	36.90	16.00	457	213



STEEL BUSH CHAINS

Chain No.	Pitch	Inside width	Bush dia.	Pin dia.	Plate depth	Plate thickness	Ultimate tensile strength	weight
	P	b1(min)	d1(max)	d2(max)	h2(max)	T(max)	Q	q
	mm	mm	mm	mm	mm	mm	KN	kg/FT
S188	66.27	26.92	22.35	12.70	28.70	6.35	111.3	1.72
S131	78.11	33.27	31.75	16.00	38.10	9.65	178.2	3.41
S102B	101.60	54.10	25.40	16.00	38.10	9.65	178.2	3.14
S111	120.90	66.80	36.58	19.05	50.80	9.65	222.7	4.64
S110	152.40	54.10	31.75	16.00	38.10	9.65	178.2	2.86