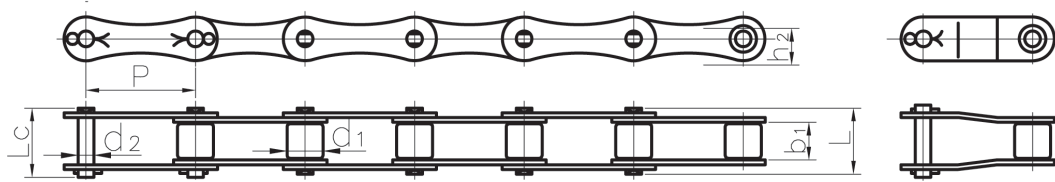
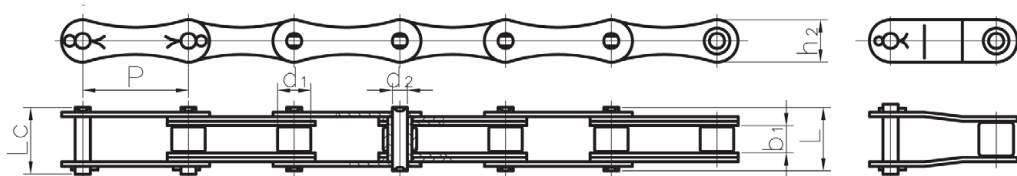


# STEEL ROLLER CHAINS AND ATTACHMENTS

## SPECIAL CHAIN SERIES



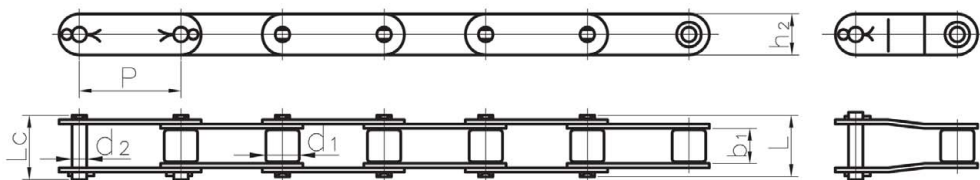
Chain No.	Pitch	Inside Width	Roller diameter	Pin diameter	Inner Plate depth	Pin length		Ultimate tensile strength	Weight per meter
	P	b1(min)	d1(max)	d2(max)	h2(max)	L(max)	Lc(max)	Q	Q
	mm	mm	mm	mm	mm	mm	mm	KN	Kg/m
S32	29.21	15.88	11.43	4.47	13.50	26.70	28.8	8.0	0.86
S42	34.93	19.05	14.27	7.01	19.80	34.30	37.0	26.7	1.60
S45	41.40	22.23	15.24	5.74	17.30	37.70	40.4	17.8	1.46
S45R	41.40	22.23	32.50	7.16	17.00	39.50	45.0	42.5	1.63
S51	38.10	16.00	15.24	5.74	17.30	30.00	35.0	36.1	1.10
S52	38.10	22.23	15.24	5.74	17.30	37.70	40.4	17.8	1.68
S55	41.40	22.23	17.78	5.74	17.30	37.70	40.4	17.8	1.80
S55R	41.40	22.23	17.78	8.90	22.40	41.00	44.0	44.5	2.49
S62	41.91	25.40	19.05	5.74	17.30	41.00	44.0	26.7	1.87
S77	58.34	22.23	18.26	8.92	26.20	43.20	46.4	44.5	2.65
S88	66.27	28.58	22.86	8.92	26.20	49.80	53.0	44.5	3.25
A550	41.40	19.81	16.70	7.16	19.05	34.50	39.68	47.5	1.78
A620	42.01	24.51	17.91	7.16	19.05	41.50	46.83	47.5	2.44
CA642	41.40	19.00	15.88	8.27	22.20	34.40	44.2	49.8	1.90
CA643	41.40	22.20	15.88	8.27	22.20	41.00	48.3	60.5	2.40
CA645	41.40	22.20	17.78	8.27	22.20	41.00	48.3	60.5	2.60
CA650	50.80	19.05	19.05	9.52	26.70	40.20	46.8	80.0	3.62



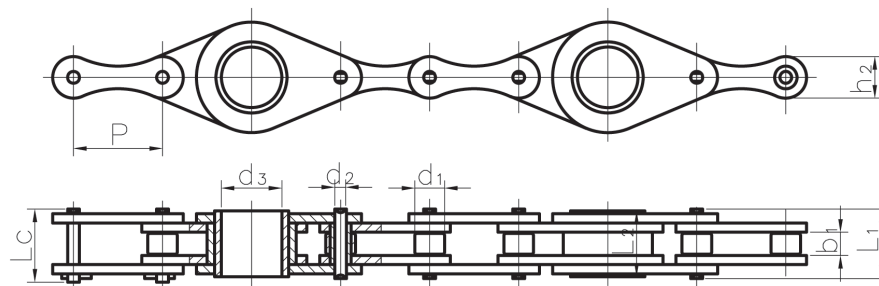
Chain No.	Pitch	Roller diameter	Inside Width	Pin diameter	Pin length		Inner Plate depth	Ultimate tensile strength	Weight per meter
	p	d1(max)	b1(min)	d2(max)	L(max)	Lc(max)	h2(max)	Q	q
	mm	mm	mm	mm	mm	mm	mm	KN	kg/m
CA650F1	50.8	25.0	19.0	11.28	49.2	53.7	25.0	120.0	4.29

# STEEL ROLLER CHAINS AND ATTACHMENTS

## SPECIAL CHAIN SERIES



Chain No.	Pitch	Inside Width	Roller diameter	Pin diameter	Inner Plate depth	Pin length		Ultimate tensile strength	Weight per meter
	P	b1(min)	d1(max)	d2(max)	h2(max)	L(max)	Lc(max)	Q	Q
	mm	mm	mm	mm	mm	mm	mm	KN	Kg/m
CA550	41.40	20.20	16.87	7.16	19.30	35.00	38.0	39.1	1.94
CA550-45	41.40	19.81	15.24	7.16	19.05	34.50	-	39.1	2.00
CA550-55	41.40	19.81	17.78	7.16	19.05	34.50	-	39.1	2.00
CA550HD	41.40	19.48	16.66	8.28	19.81	36.83	-	67.9	-
CA555	41.40	12.70	16.81	7.16	19.30	29.70	33.1	42.9	1.83
CA557	41.40	19.81	17.80	7.92	23.10	37.40	40.6	64.0	2.20
CA620	42.01	24.51	17.91	7.16	19.05	41.80	45.2	47.5	2.53
CA624	38.40	19.05	15.88	8.28	20.50	35.30	-	39.1	-
CA960	41.40	22.61	17.78	8.89	23.11	40.13	-	-	-
CA2050	31.75	9.53	10.08	5.08	14.68	20.19	-	-	-
CA2060H	38.10	12.70	11.91	5.94	17.45	29.74	31.7	31.1	1.50
CA2063H	38.10	12.70	11.89	5.94	19.30	29.40	34.2	31.0	1.65
CA2801	30.00	19.00	15.88	8.27	20.50	34.40	-	52.9	-
CA39	38.40	19.00	15.88	6.92	17.20	33.10	-	31.1	-

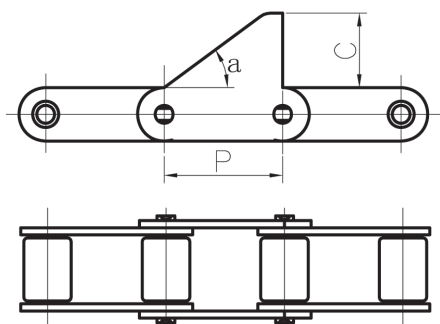
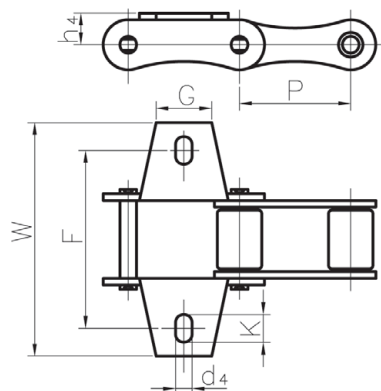


Chain No.	Pitch	Roller diameter	Inside Width	Pin diameter	Hollow pin inner diameter	Pin length			Inner Plate depth	Ultimate tensile strength
	p	d1(max)	b1(min)	d2(max)	d2(max)	L(max)	L2(max)	Lc(max)	h2(max)	Q
	mm	mm	mm	mm	mm	mm	mm	mm	KN	KN
216BF1	50.8	15.88	17.02	8.28	35.3	37.8	35.8	41.3	22.0	60.0

# STEEL ROLLER CHAINS AND ATTACHMENTS

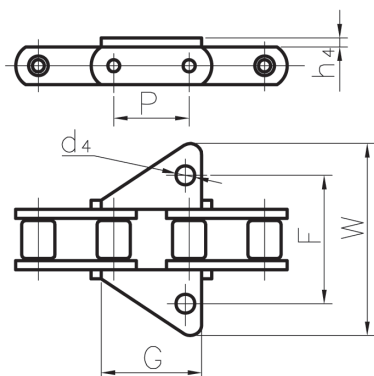
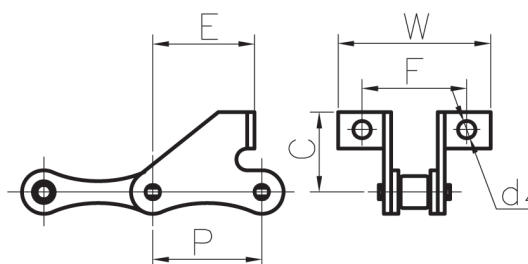
## SPECIAL CHAIN SERIES

Chain No.	P mm	F mm	W mm	G mm	h4 mm	d4 mm	K mm
S42BK1y	34.93	50.8	74.9	17.5	14.0	8.3	11.5
S52BK1y	38.1	58.8	78.0	19.0	11.4	8.3	9.9
S62BK1y	41.91	66.8	95.4	22.0	11.4	6.5	13.0
S62BK1x	41.91	66.8	95.4	22.0	11.4	8.3	14.7
CA550BK1y	41.4	52.5	76.2	22.0	12.7	8.3	10.0



Chain No.	P mm	E mm	F mm	W mm	C mm	d4 mm
S52F4	38.1	37.0	53.8	69.5	29.4	6.4
S55F2	41.4	40.0	58.0	87.0	30.0	6.4

Chain No.	P mm	C mm	a mm
S62F1	41.91	50.0	50



Chain No.	P mm	G mm	F mm	W mm	h4 mm	d4 mm
CA550F1	41.1	60.0	53.94	76.2	14.6	9.9