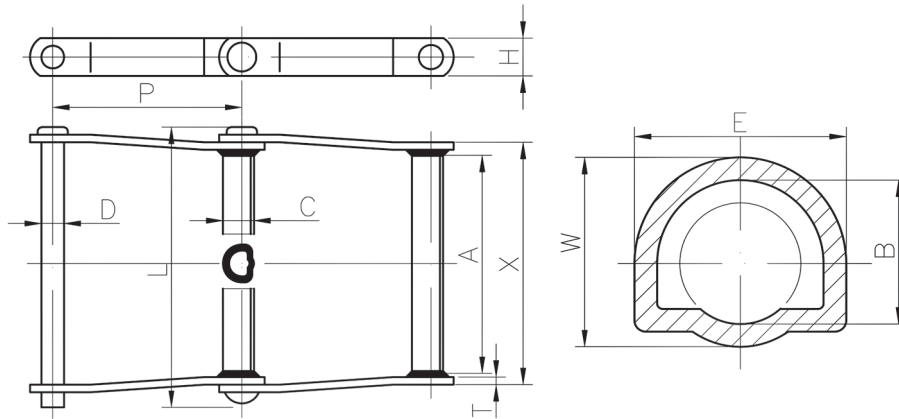


# WELDED STEEL DRAG CHAINS AND ATTACHMENTS

## CONVEYOR CHAIN SERIES

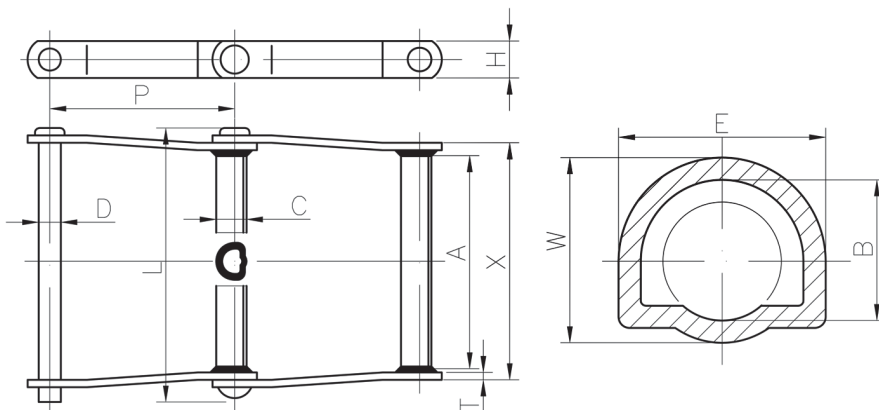
CONVEYOR CHAIN



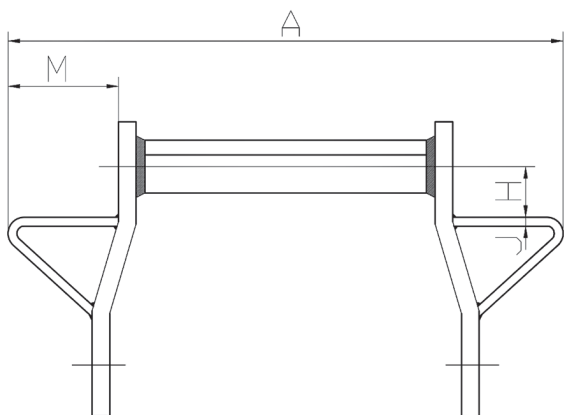
Chain No.	Pitch	Outside Barrel dia.	Side Bar Height	Plate Thickness	Maximum Sprocket Face	Length of Bearing	Pin dimensions		Barrel Sectional Dimensions			Ultimate tensile strength	Weight approx.
	P	C(max)	H(max)	T(max)	A(min)	X(max)	D	L	B	E	W	Q	q
	mm	mm	mm	mm	mm	mm	mm	mm	mm	mm	mm	KN	Kg/FT
WD-102	127	38.1	38.1	9.7	162	197.1	19.05	233	19.7	38.1	31.7	226	5.47
WD-104	152.4	38.1	38.1	9.7	104.8	136.53	19.05	173	19.7	38.1	31.7	226	4.56
WD-110	152.4	38.1	38.1	9.7	235	264	19.05	296	19.7	38.1	31.7	250	5.75
WD-112	203.2	38.1	38.1	9.7	228.6	260.5	19.05	296	19.7	38.1	31.7	170	4.7
WD-113	152.4	38.1	38.1	12.7	228.6	270.2	22.23	311	22.8	38.1	33.2	297	7.0
WD-116	203.2	44.45	44.45	9.7	330.2	358.8	19.05	395	23.65	44.45	36.65	250	6.72
WD-118	203.2	50.8	50.8	12.7	377.825	336.55	22.225	422.275	28.5	50.8	44.45	311.5	8.49
WD-120	152.4	50.8	50.8	12.7	260.35	222.25	22.225	304.8	28.5	50.8	44.45	311.5	8.50
WD-122	203.2	50.8	50.8	12.7	260.35	222.25	22.225	304.8	28.5	50.8	44.45	311.5	6.94
WD-480	203.2	50.8	50.8	12.7	280	323.85	22.23	367	28.5	50.8	44.5	311.5	9.07
WD-580	203.2	50.8	50.8	12.7	279.4	323.85	25.4	368.2	28.5	50.8	44.5	311.5	9.52

# WELDED STEEL DRAG CHAINS AND ATTACHMENTS

## CONVEYOR CHAIN SERIES



Chain No.	Pitch	Outside Barrel dia.	Side Bar Height	Plate Thickness	Maximum Sprocket Face	Length of Bearing	Pin dimensions		Barrel Sectional Dimensions			Ultimate tensile strength	Weight approx.
	P	C(max)	H(max)	T(max)	A(min)	X(max)	D	L	B	E	W	Q	q
	mm	mm	mm	mm	mm	mm	mm	mm	mm	mm	mm	KN	Kg/FT
WD-120XHD	152.4	50.8	50.8	15.88	222.25	266.7	25.4	323.85	28.5	50.8	44.5	543	10.6
WD-118XHD	203.2	50.8	50.8	15.88	279.4	384.175	25.4	441.325	28.5	50.8	44.5	543	10.6
WD-122XHD	203.2	50.8	50.8	15.88	222.25	266.7	25.4	323.85	28.5	50.8	44.5	543	8.85
WD-480XHD	203.2	50.8	50.8	15.88	279.4	330.2	25.4	387.35	28.5	50.8	44.5	543	10.55



Chain No.	A	H	J	M
	mm	mm	mm	mm
WD-102	368.30	38.10	9.53	82.55
WD-104	304.80	57.15	9.53	85.73
WD-110	431.80	57.15	9.53	85.73
WD-112	431.80	57.15	9.53	85.73
WD-113	431.80	57.15	9.53	85.73
WD-116	558.80	63.50	9.53	100.01
WD-118	558.80	63.50	12.70	90.49
WD-120	431.80	63.50	12.70	85.73
WD-122	431.80	63.50	12.70	85.73
WD-480	558.80	63.50	12.70	117.48
WD-20XHD	438.15	63.50	12.70	82.55
WD-18XHD	565.15	63.50	12.70	87.31
WD-80XHD	565.15	63.50	12.70	114.30