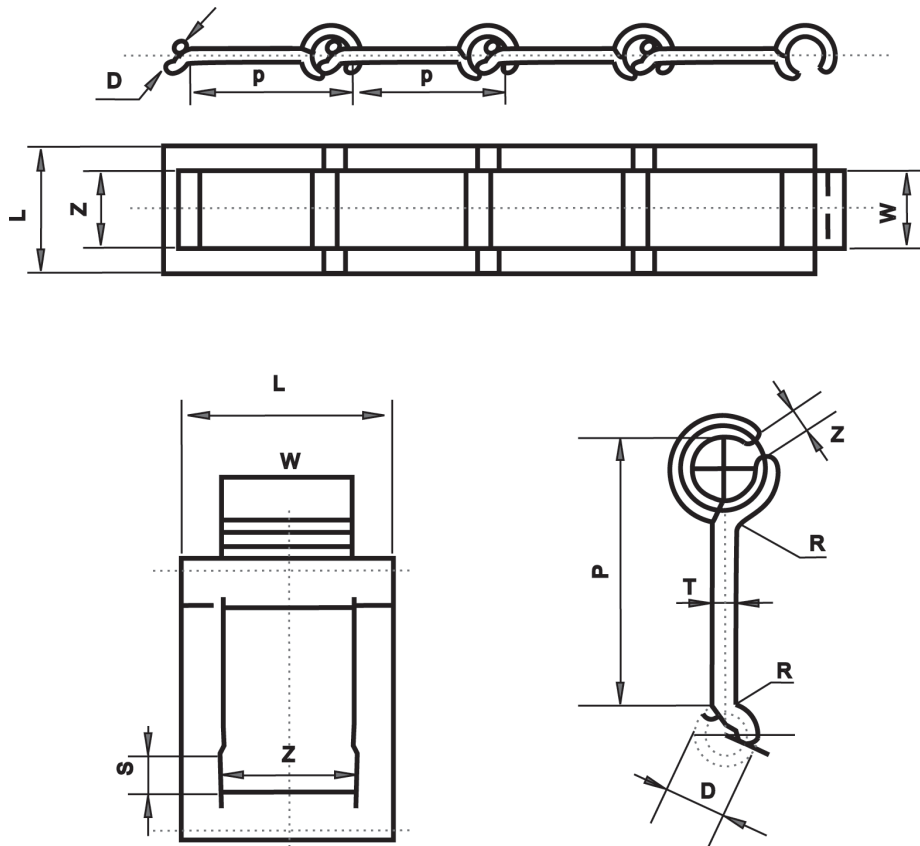


STEEL DETACHABLE CHAINS

CONVEYOR CHAIN SERIES

CONVEYOR CHAIN



Chain No.	Pitch	Plate width	Cauda inner width	Fitting height	Hook outer width	Hook inner depth	Cauda outer depth	Clearance	Plate thickness	Ultimate tensile strength
	P	L	Z	S	W	D	B	N	T	Q
	mm	mm	mm	mm	mm	mm	mm	mm	mm	KN
32	29.39	23.81	15.5	2.54	15.08	6.35	6.10	2.03	2.30	5.87
32W	29.39	27.00	15.5	2.54	15.08	6.35	6.10	2.16	2.40	5.87
T32	29.39	28.00	16.9	2.54	16.50	6.35	6.10	2.16	2.40	5.87
45	41.40	30.96	20.5	2.80	19.84	10.0	8.51	2.41	2.70	7.47
52	38.30	35.71	21.9	3.17	21.44	8.38	8.13	2.79	3.10	9.61
55	41.40	32.54	20.65	3.30	20.22	8.76	8.51	2.92	3.15	9.96
62	42.01	39.69	25.45	3.94	24.94	9.14	9.02	3.51	3.75	15.66
67H	58.75	47.62	28.19	5.16	27.76	12.95	12.70	4.44	4.70	19.57