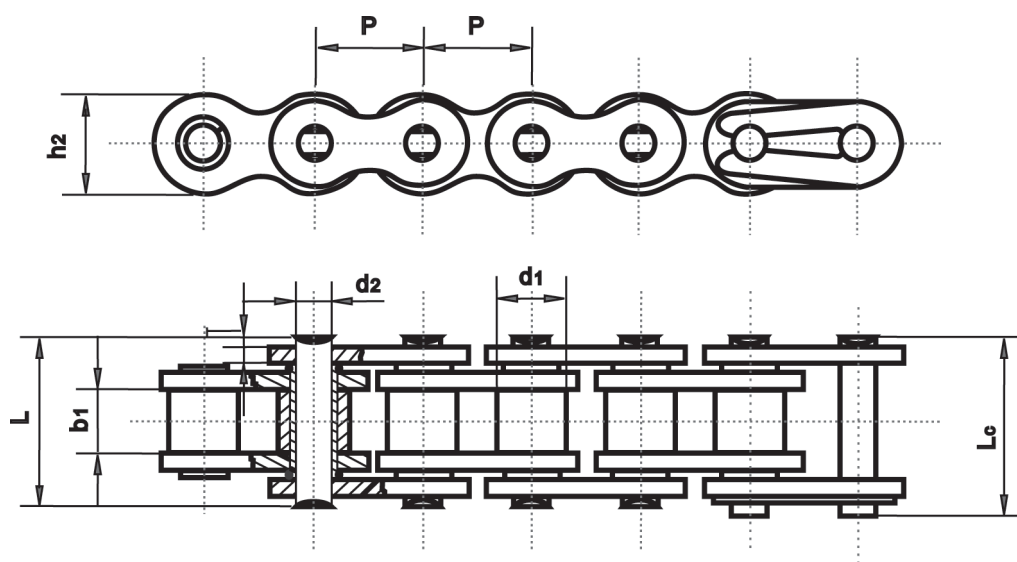


MOTORCYCLE O RING CHAINS

TRANSMISSION CHAIN SERIES



Chain No.	Pitch	Roller diameter	Width between inner plates	Pin diameter	Pin length		inner plate depth	Plate thickness	Ultimate tensile strength	Weight approx
	P	d1(max)	b1(min)	d2(max)	L(max)	Lc(max)	h2(max)	T(max)	Q	q
	mm	mm	mm	mm	mm	mm	mm	mm	KN	kg/m
428H-O	12.70	8.51	7.94	4.45	21.60	23.00	12.30	2.00	22.00	0.85
520H-O	15.875	10.16	6.35	5.24	22.00	23.70	15.00	2.40	32.00	1.00
525H-O	15.875	10.16	7.94	5.24	23.80	25.50	15.00	2.40	32.00	1.12
530H-O	15.875	10.16	9.50	5.24	25.40	27.00	15.00	2.40	34.00	1.20
630H-O	19.05	11.91	12.63	5.94	31.30	33.10	18.00	3.25	42.00	1.60