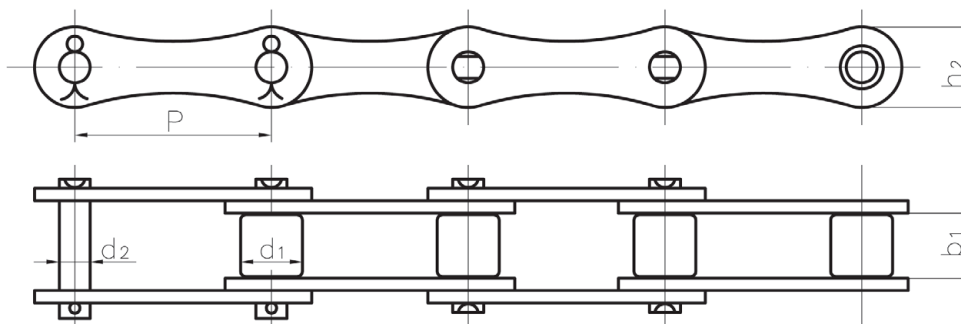


DOUBLE PITCH TRANSMISSION ROLLER CHAINS

TRANSMISSION CHAIN SERIES



Chain No.		Pitch	Roller dia.	Inside Width	Pin dia.	Plate depth	Ultimate tensile strength	Weight approx.
ISO	ANSI	P mm	d1(max) mm	b1(min) mm	d2(max) mm	h2(max) mm	Q KN	q kg/m
208A	A2040	25.40	7.92	7.85	3.98	12.07	13.90	0.42
210A	A2050	31.75	10.16	9.40	5.09	15.09	21.80	0.70
212A	A2060	38.10	11.91	12.57	5.96	18.10	31.30	1.00
216A	A2080	50.80	15.88	15.75	7.94	24.13	55.60	1.76
220A	A2100	63.50	19.05	18.90	9.54	30.17	87.00	2.55
224A	A2120	76.20	22.23	25.22	11.11	36.20	125.00	4.06
228A	A2140	88.90	25.40	25.22	12.71	42.23	170.00	5.12
232A	A2160	101.60	28.58	31.55	14.29	48.26	223.00	7.02
208AH	A2040H	25.40	7.92	7.85	3.98	12.07	13.90	0.56
210AH	A2050H	31.75	10.16	9.40	5.09	15.09	21.80	0.85
212AH	A2060H	38.10	11.91	12.57	5.96	18.10	31.30	1.44
216AH	A2080H	50.80	15.88	15.75	7.94	24.13	55.60	2.25
220AH	A2100H	63.50	19.05	18.90	9.54	30.17	87.00	3.60
224AH	A2120H	76.20	22.23	25.22	11.11	36.20	125.00	5.12
232AH	A2160H	101.60	28.58	31.55	14.29	48.26	223.00	7.94
208B		25.40	8.51	7.75	4.45	11.81	17.80	0.52
210B		31.75	10.16	9.65	5.08	14.73	22.20	0.63
212B		38.10	12.07	11.68	5.72	16.13	28.90	0.78
216B		50.80	15.88	17.02	8.28	21.08	60.00	1.88
220B		63.50	19.05	19.56	10.19	26.42	95.00	2.65
224B		76.20	25.40	25.40	14.63	33.40	160.00	4.77
228B		88.90	27.94	30.99	15.90	37.08	200.00	6.30
232B		101.60	29.21	30.99	17.81	42.29	250.00	6.79