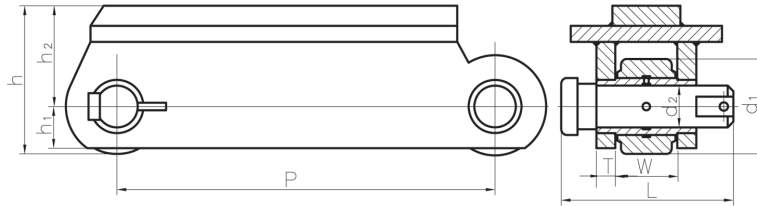
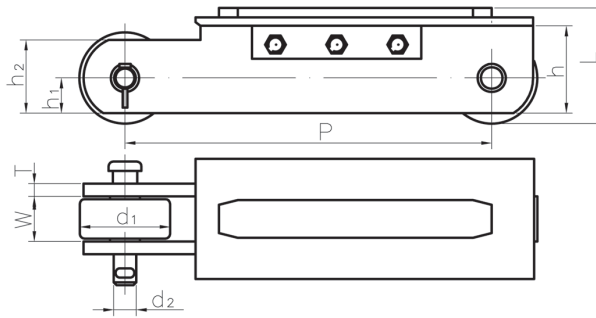


LARGE HEAVY DUTY LOADING CHAINS

SPECIAL CHAIN SERIES



Chain No.	Pitch	Roller dia	Pin dia.	Inside Width	Pin Length	Plate Dimensions				Ultimate tensile strength
	P	d1	d2	W	L	h	h1	h2	T	Q
	mm	mm	mm	mm	mm	mm	mm	mm	mm	KN
M-A1	700	245	78	155	355	340	103	217.5	38	5400



Chain No.	Pitch	Inside Width	Roller Dia	Pin dia.	Plate Dimensions					Ultimate tensile strength
	P	b1	d1	d2	h	h1	h2	L	T	Q
	mm	mm	mm	mm	mm	mm	mm	mm	mm	KN
JL60300	300									
JL60400	400	60	125	28	154.5	45	92	137	12	588
JL60500	500									
JL90300	300									
JL90400	400	62	135	30	177.5	56	110	156	16	882
JL90500	500									
JL90300W	300									
JL90400W	400	78	135	30	177.5	56	110	172	16	882
JL90500W	500									
JL130300	300									
JL130400	400	76	150	38.5	188	63	113	187	16	1274
JL130500	500									
JL130600	600									
JL160400	400									
JL160500	500	85	175	41.5	221.5	75	134	198	19	1569
JL160600	600									