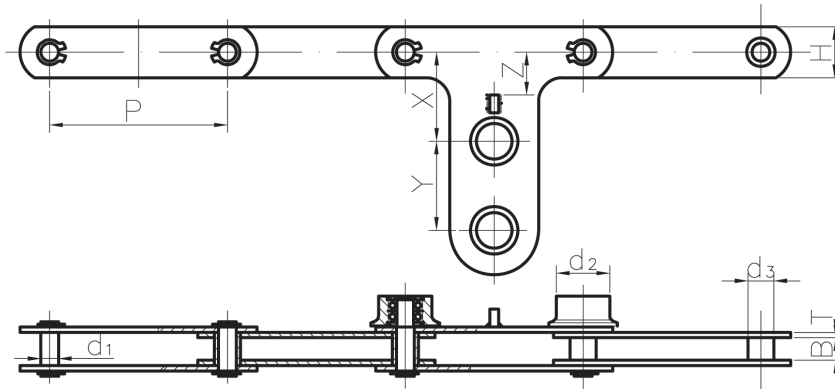
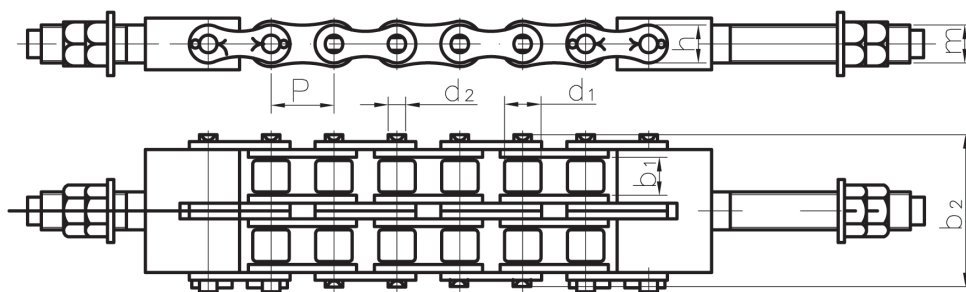


PARK CHAINS

SPECIAL CHAIN SERIES



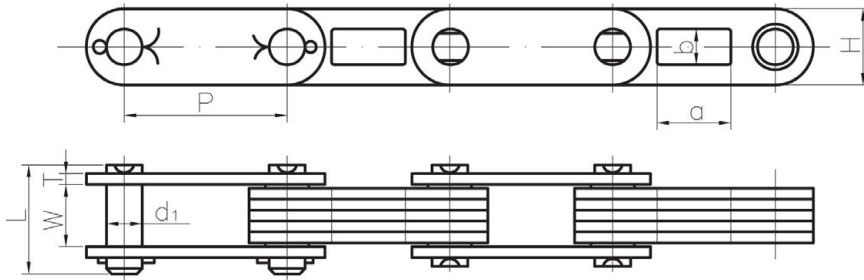
Chain No.	Pitch	Inside Width	Pin dia.	F-Roller dia.	Bushing dia.	Attachment Dimensions					Ultimate tensile strength
	P	B(min)	d1(min)	d2(max)	d3(max)	H	T	X	Y	Z	Q
	mm	mm	mm	mm	mm	mm	mm	mm	mm	mm	KN
QP450	450	45	42	125	58	110	12	350	255	215	650



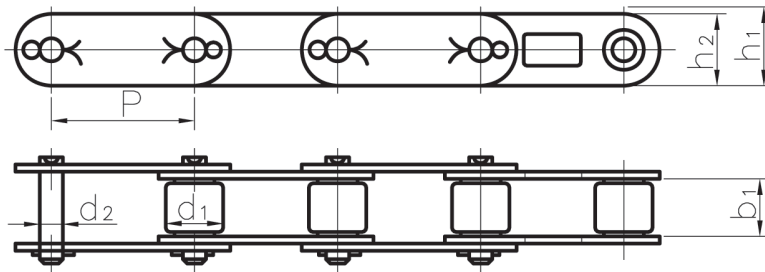
Chain No.	Pitch	Roller dia.	Width between inner plate	Pin dia.	Pin length	Plate depth	Bolt dia.	Ultimate tensile strength
	P	d1(max)	b1(min)	d2(max)	b2(max)	h(max)	M	Q
	mm	mm	mm	mm	mm	mm	mm	KN
QP16A-2	25.4	15.88	15.75	7.92	62.4	20.55	M20	130
QP20A-2	31.75	19.05	18.9	9.53	76.76	25.85	M24	190

PAVER CHAINS

SPECIAL CHAIN SERIES



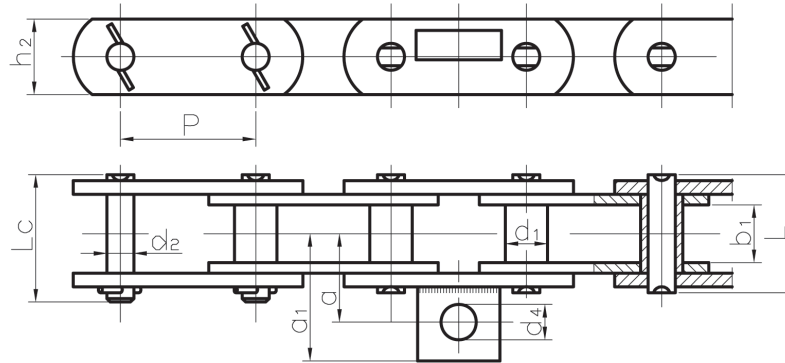
Pitch	Inside Width	Pin dia.	Pin Length	Plate Thickness	Plate Height	Inner Plate Dimension		Ultimate tensile strength	Weight per meter
P	W	d1	L	T	H	a	b	Q	q
mm	mm	mm	mm	mm	mm	mm	mm	mm	kg/m
75	32	14.27	54.2	5.6	36	34	14	100	7.18



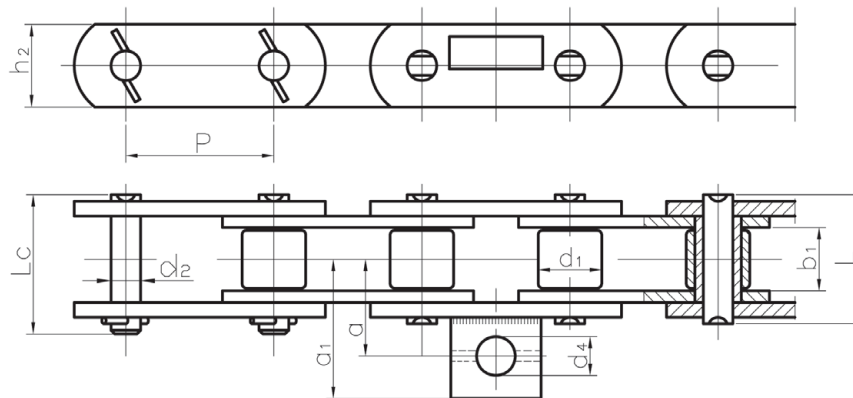
Chain No.	Pitch	Roller dia.	Inside Width	Pin dia.	Chain path depth	Plate depth	Ultimate tensile strength	Weight approx.
	P	d1(max)	b1(min)	d2(max)	h1(max)	h2(max)	Q	q
	mm	mm	mm	mm	mm	mm	KN	kg/m
A5188	66.27	28.58	23.80	12.60	29.50	28.80	133.50	6.14
SGR188	66.27	22.23	26.50	11.10	29.50	28.80	143.00	6.83
C1594	69.85	31.75	25.60	14.27	36.30	32.50	106.73	9.27

PAVER CHAINS

SPECIAL CHAIN SERIES



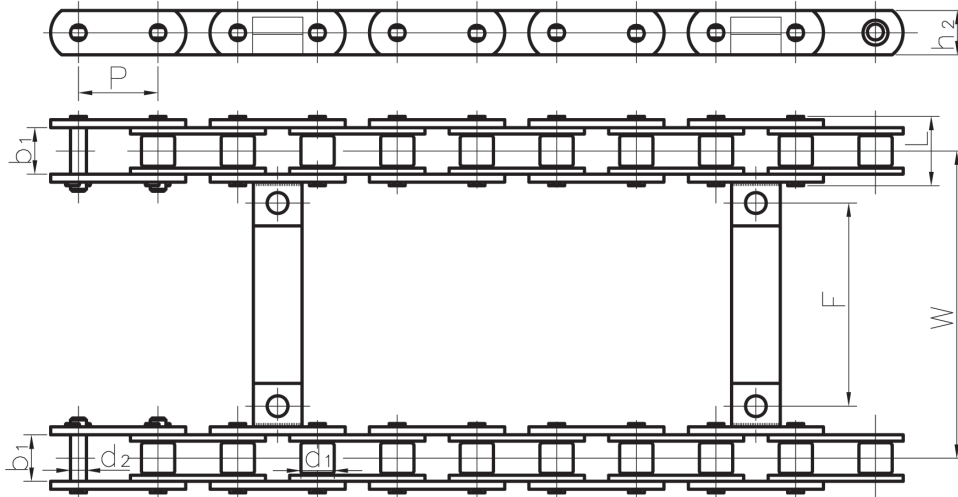
Pitch	Width between inner plate	Bush dia.	Plate Hight	Pin dimension			Scraper dimensions			Ultimate tensile strength	Weight per meter
P	b1(min)	d1(max)	h2(max)	L(max)	Lc(max)	d2(max)	a	a1	d4	Q	q
mm	mm	mm	mm	mm	mm	mm	mm	mm	mm	KN	kg/m
80	35.8	26	45	72	77	15.9	56.9	81.9	20	190	9



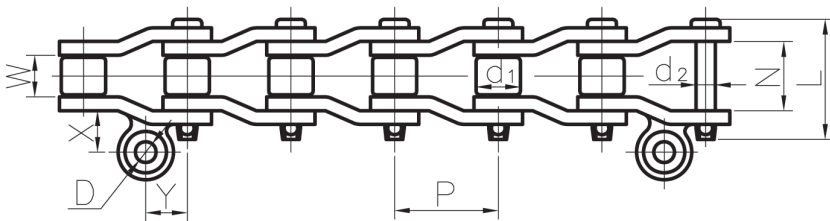
Pitch	Width between inner plate	Bush dia.	Plate Hight	Pin dimension			Scraper dimensions			Ultimate tensile strength	Weight per meter
P	b1(min)	d1(max)	h2(max)	L(max)	Lc(max)	d2(max)	a	a1	d4	Q	q
mm	mm	mm	mm	mm	mm	mm	mm	mm	mm	KN	kg/m
80	33.8	27.94	45	70.4	76	15.9	56.5	81.5	22	190	10

PAVER CHAINS

SPECIAL CHAIN SERIES



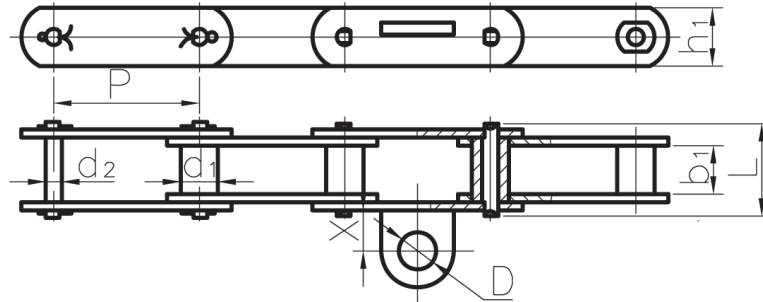
Pitch	Width between inner plate	Bush dia.	Plate Hight	Pin dimension		Scrapper dimensions		Ultimate tensile strength	Weight per meter
P	b1(min)	d1(max)	h2	L	d2	W	F	Q	q
mm	mm	mm	mm	mm	mm	mm	mm	KN	kg/m
80	35	36	45	74.38	17.46	575	449	300	33



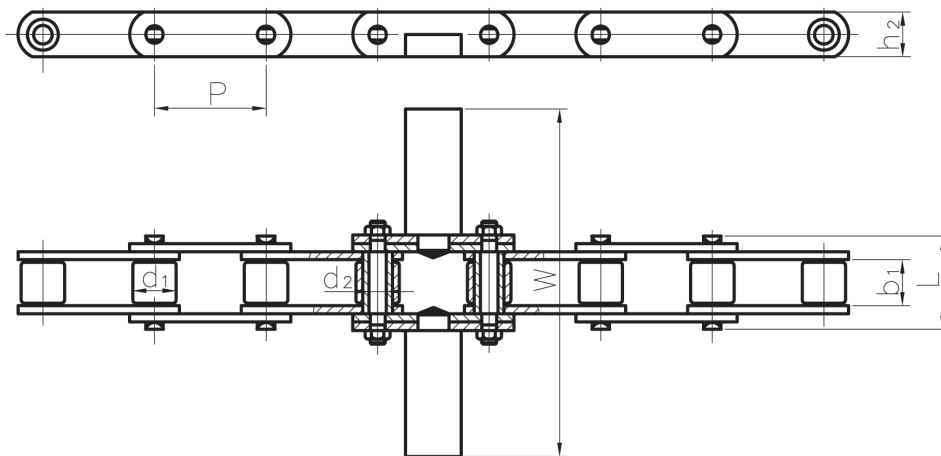
Pitch	Pin dimension		Bush dia.	Assemble dimension		Scrapper dimensions			Ultimate tensile strength	Weight per meter
P	d2	L	d1	W	N	X	Y	D	Q	q
mm	mm	mm	mm	mm	mm	mm	mm	mm	KN	kg/m
78.1	15.87	86.74	31.75	31.75	51.59	33.3	34.92	25.78	245	24.38

PAVER CHAINS

SPECIAL CHAIN SERIES



Pitch	Pin dimension		Bush dia.	Width between inner plate	Inner Plate depth	Attachment dimension		Ultimate tensile strength	Weight per meter	
	P	d2				L	d1			b1
mm	mm	mm	mm	mm	mm	mm	mm	mm	KN	kg/m
80	9.65	52	20	26	34	20	20	100	4.7	



Pitch	Pin dimension		Bush dia.	Width between inner plate	Inner Plate depth	Attachment dimension	Ultimate tensile strength	Weight per meter
	P	d2						
mm	mm	mm	mm	mm	mm	mm	KN	kg/m
70	15.9	66	30	32	40	424	110	12.2