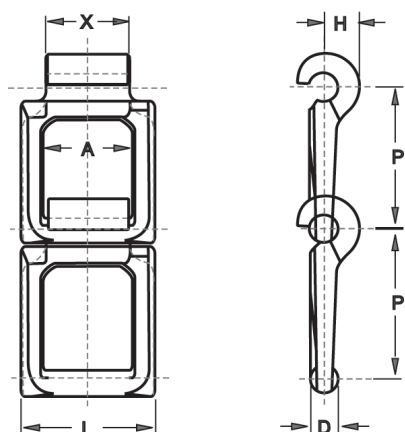


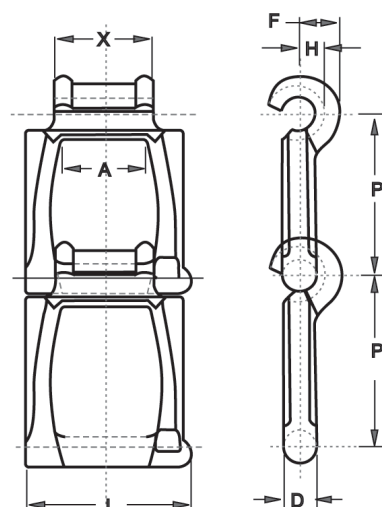
CAST DETACHABLE CHAINS

CONVEYOR CHAIN SERIES

A type



B type



Chain No.	Hook Style	Pitch	Sprocket Face	Inner hook Dia.	Width	Outer Hook Depth		Bearing Length	Ultimate tensile strength	Weight approx.
		P	A	D	L	H	F	X	Q	q
		mm	mm	mm	mm	mm	mm	mm	KN	kg/m
25	A	22.91	9.65	3.56	19.81	5.08	-	10.41	3.92	0.36
32	A	29.31	12.70	4.32	24.64	6.35	-	14.73	6.15	0.52
42	A	34.93	15.75	5.59	32.51	7.11	-	19.56	8.91	0.82
45	A	41.40	17.53	5.59	33.27	7.62	-	20.32	9.49	0.78
51	A	29.34	14.22	6.86	31.75	9.14	-	17.02	10.60	1.15
52	A	38.25	15.75	6.86	38.86	8.64	-	21.08	12.83	1.19
55	A	41.43	17.53	6.86	35.81	9.14	-	20.57	12.83	1.04
57	A	58.62	19.05	6.86	45.97	10.41	-	27.69	16.17	1.34
62	A	42.01	20.57	7.87	42.16	10.41	-	24.64	17.82	1.65
67	B	58.62	17.53	7.87	51.56	10.41	13.46	34.54	18.93	1.67
75	A	66.27	23.88	10.41	53.09	11.18	-	28.45	22.85	1.68
77	B	58.34	17.53	9.91	56.39	9.14	15.49	36.07	20.05	1.70
78	B	66.27	23.88	10.67	66.55	11.18	16.76	41.15	30.65	1.77
88	B	66.27	23.88	12.19	69.85	11.18	19.81	45.21	35.64	3.34
103	B	78.11	28.45	14.73	83.31	15.49	25.40	51.56	55.68	5.96
124	B	103.20	31.75	19.56	103.12	17.27	33.27	58.42	94.66	9.93